

eSET Touchfree Basin mixer with temperature setting for combining with free-standing fittings -

35 740 970



- lead-free
- 2x back flow preventer
- 2x male thread 1/2" connection
- outlet with high-pressure hose
- surface-mounted installation

Can be combined with spouts from the Vaia, Lissé, CL.1, IMO, Tara., Tara Logic, Meta.02, Deque, Supernova, Symetrics, LULU and MEM series

Cannot be combined with spouts with a pull-rod pop-up waste.

Please combine with item no. 10 126 970-FF

Not suitable for combination with steel basins.

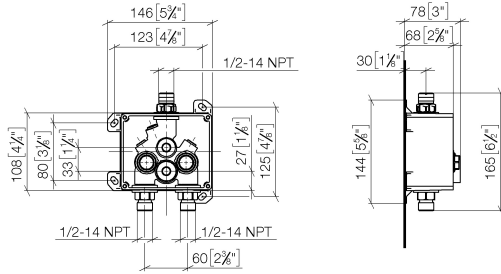
Other series and finishes on request (x-TRA SERVICE)

ATTENTION: Separate terms and conditions for electronic articles are applicable.



eSET Touchfree Basin mixer with temperature setting for combining with free-standing fittings -

35 740 970
mm [inches]

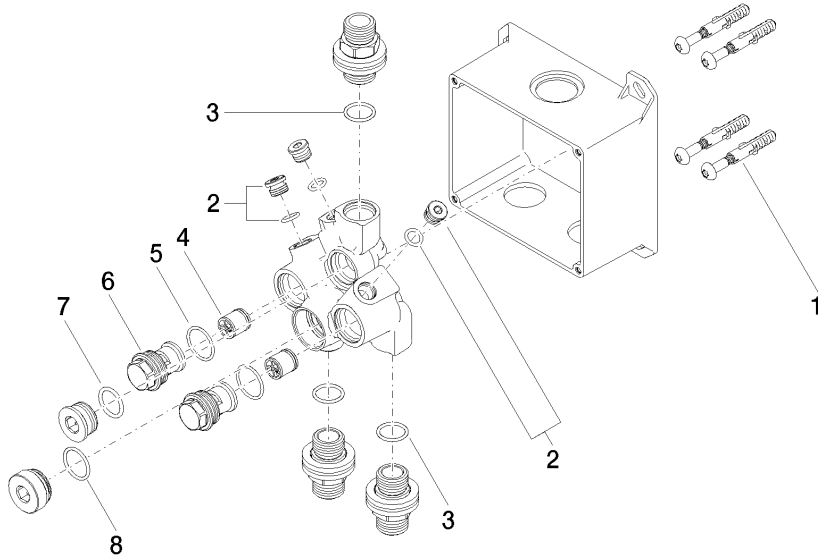


Codes & Standards

UL 1951

eSET Touchfree Basin mixer with temperature setting for combining with free-standing fittings -

35 740 970



Spare parts list

| No. | Item Number | Name | Quantity used | Delivery time |
|-----|--------------------|---------------------|---------------|---------------|
| 1 | 04 30 31 024 01 90 | fixing set | 2 | 2 |
| 2 | 04 31 20 039 11 90 | plug | 3 | 2 |
| 3 | 90 14 10 010 00 90 | seal | 3 | 2 |
| 4 | 90 23 01 040 00 90 | back-flow preventer | 2 | 2 |
| 5 | 90 14 10 056 00 90 | seal | 2 | 2 |
| 6 | 09 24 03 219 90 | nipple | 2 | 2 |
| 7 | 09 14 10 117 90 | seal | 1 | 2 |
| 8 | 09 14 10 031 90 | seal | 1 | 2 |